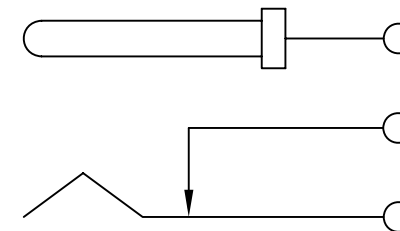
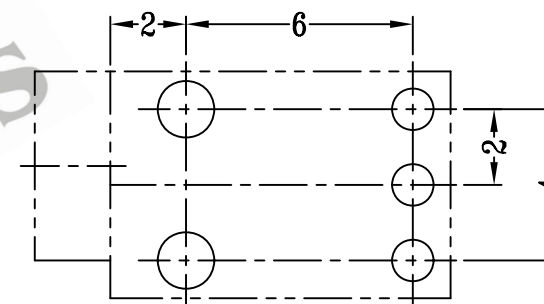
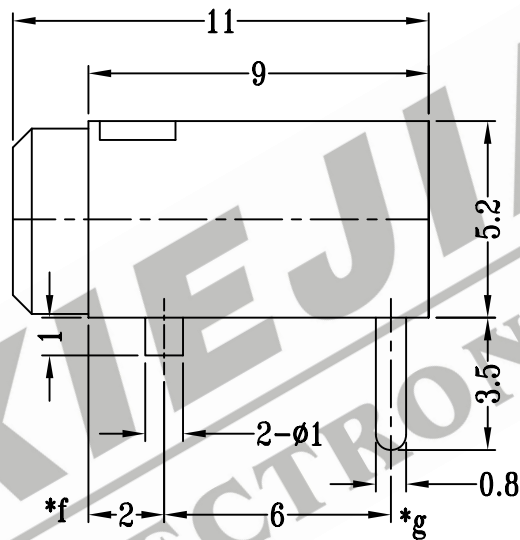
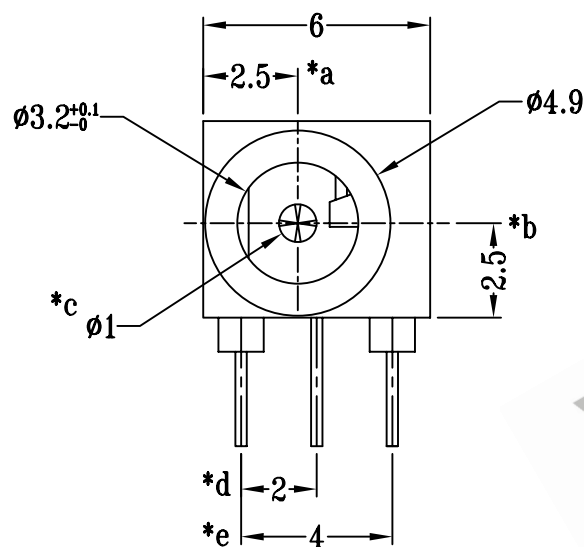


CAD FILE:



SCHEMATIC



P.C.B LAYOUT

注：“*”表示关键尺寸（7个）

8					TOLERANCE UNLESS SPECIFIED	SHENZHEN XIEJIA ELECTRONICS CO.,LTD.				
7										
6					WITHIN: 1.5±0.1mm OVER : 1.5±0.2mm	ISSUE	DATE	DESCRIPTIONS		APPD.
5	TERMINAL	BRASS STRIP	1	Ag PLATED OVER Ni PLATED						
4	CASE	NYLON + F.G	1	BLACK	TITLE : DC POWER JACK		UNIT : MM	DRWG NO.: XJ-DR-DS423-00		
3	PLUG PIN	BRASS STRIP	1	Ag PLATED OVER Ni PLATED						
2	SPRING PLATE	SUS	1	Ag PLATED OVER Ni PLATED	MODEL: DS-423		SCALE: 5 : 1	DWN.	ZHOUYU	2006-3-20
1	COVER	NYLON + F.G	1	BLACK				CHK'D	FANGYING	2006-3-20
NO.	PART NAME	MATERIAL	Q'TY	FINISHING	ALL MATERIALS MUST BE COMPLIANT TO ROHS			APPD.	KANGXINAN	2006-3-20